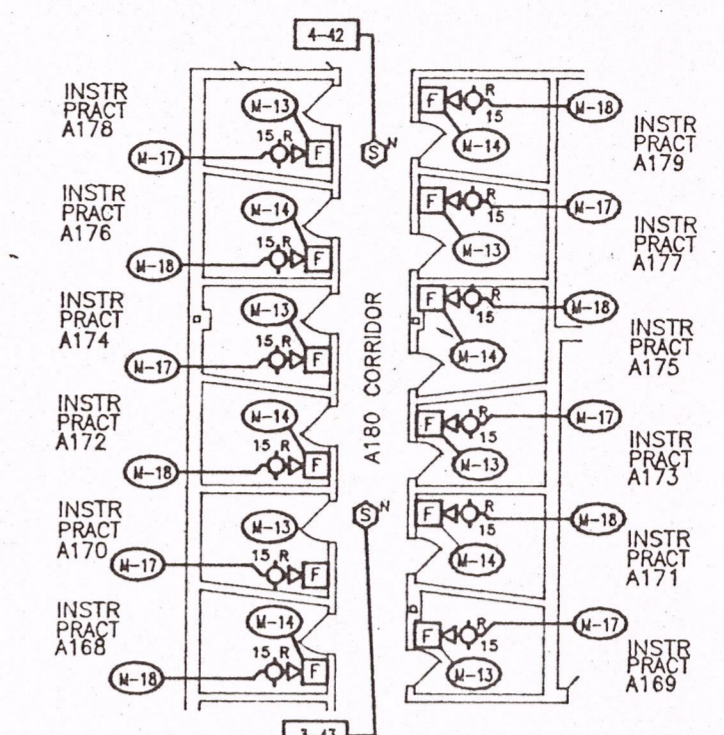
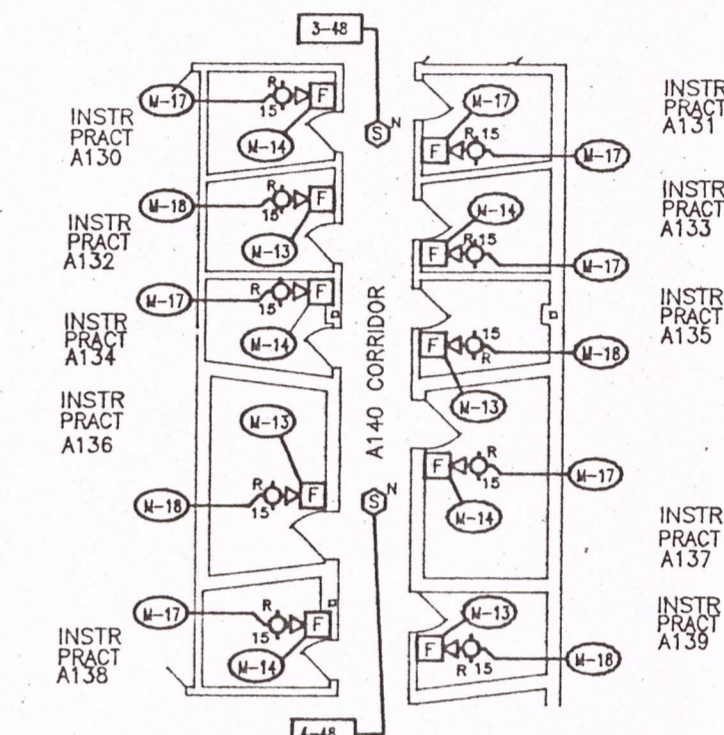


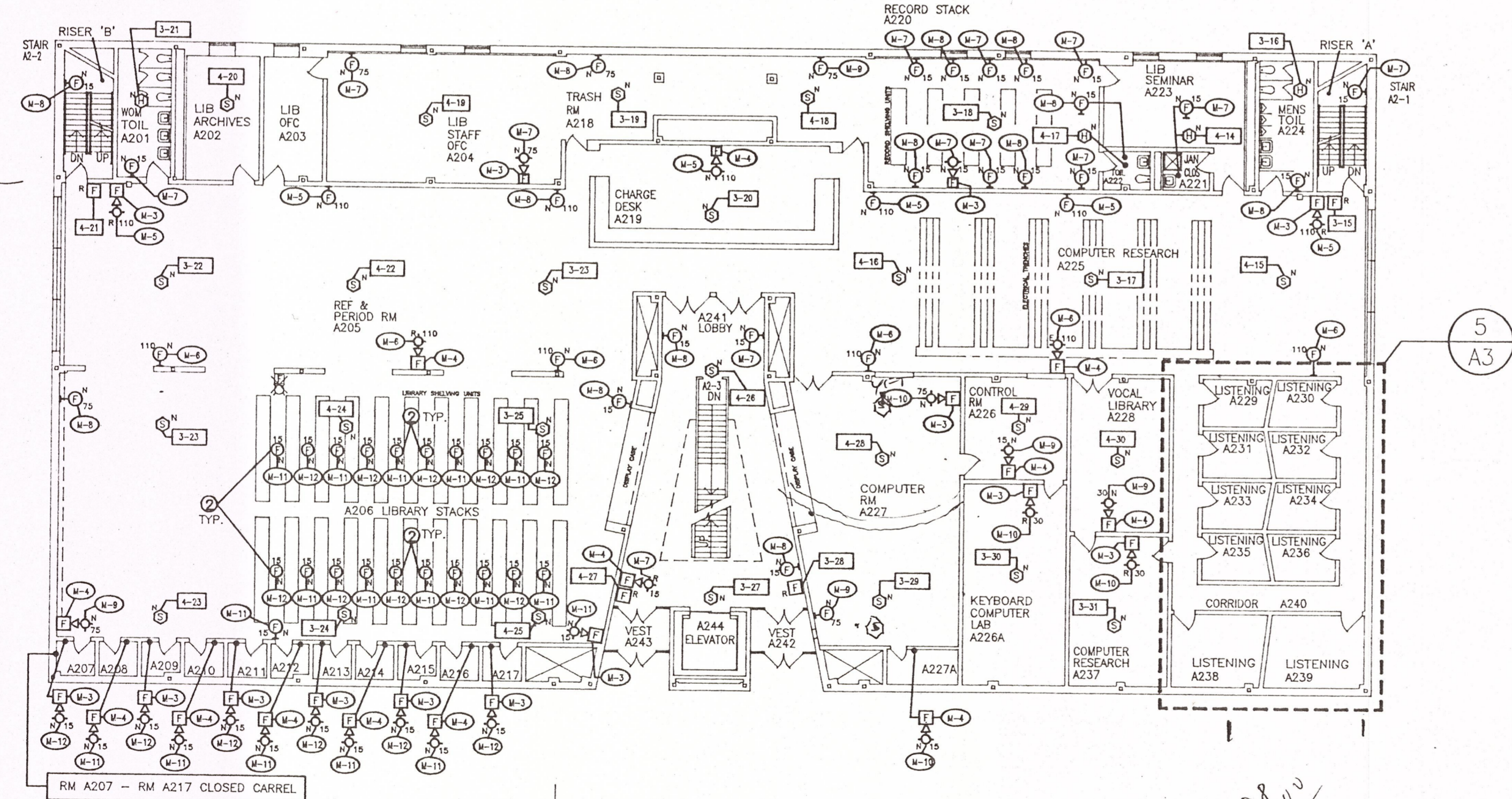
1 LOWER PLAN - LEVEL 1
SCALE: 1/16" = 1'-0"



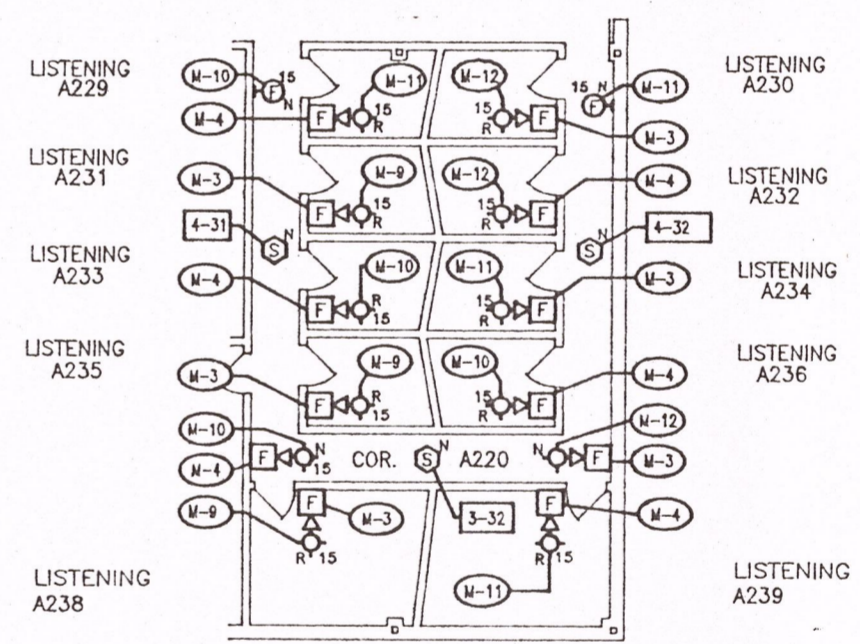
3 PARTIAL LOWER PLAN - LEVEL 1
SCALE: 1/16" = 1'-0"



4 PARTIAL LOWER PLAN - LEVEL 1
SCALE: 1/16" = 1'-0"



2 PLAZA PLAN - LEVEL 2
SCALE: 1/16" = 1'-0"

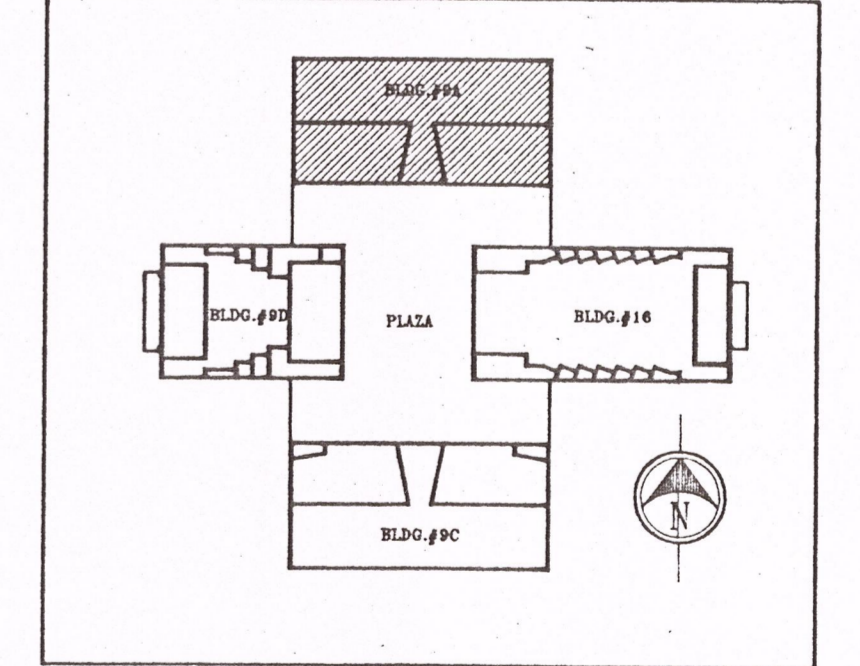


5 PARTIAL PLAZA PLAN - LEVEL 2
SCALE: 1/16" = 1'-0"

KEY NOTES:

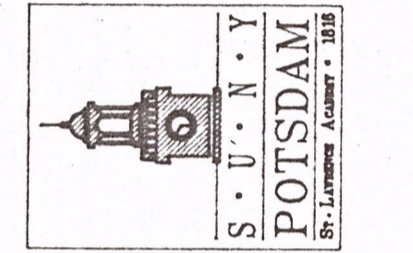
- ① ALIGN WITH CENTER OF AISLE BETWEEN PERIODICAL RACKS.
- ② CENTER BOTH WAYS IN SPACE BETWEEN STACKS.
- ③ REWIRE EXISTING DOOR HOLDERS TO NEW FIRE ALARM SYSTEMS. SEE RISER DIAGRAMS AND DETAILS.
- ④ MODIFY ELEVATOR CONTROLS TO ADD FIREMAN'S SERVICE / RECALL. SEE SPECIFICATIONS.
- ⑤ WIRE TO ELEVATOR RECALL SYSTEM. SEE DETAIL.

KEY PLAN: CRANE MUSIC COMPLEX



CONTRACTOR SHALL CHECK AND FIELD VERIFY ALL DIMENSIONS AND REPORT DISCREPANCIES TO THE ARCHITECT BEFORE ANY WORK IS COMMENCED.
ALL DRAWINGS ARE THE PROPERTY OF THE ARCHITECT.
THIS DESIGN AND THESE DOCUMENTS MAY NOT BE REPRODUCED, REUSED, ALTERED OR ADDED TO WITHOUT THE WRITTEN PERMISSION OF THE ARCHITECT.

STATE UNIVERSITY
CONSTRUCTION FUND
SUCF PROJECT NUMBER 12130
REPLACE FIRE ALARM SYSTEM / INSTALL SPRINKLER
CRANE MUSIC COMPLEX
STATE UNIVERSITY COLLEGE AT POTSDAM



HAZP, CONSULTANTS IN ENGINEERING
P.O. BOX 228
CLIFTON PARK, NY, 12065
TEL: (518) 877-8566
FAX: (518) 877-8598

OCM PROJECT NO. 10233

O'CONNOR & MARSH
ARCHITECTS
FACILITY DESIGN - PLANNING

517 OVER THE LIBRARY
WESTERN AVENUE
ALBANY, NEW YORK 12203
518 459 0611

DRAWING TITLE
SCHUTTE HALL -
LEVEL 1, & LEVEL 2

DATE
12-9-97
DRAWING NO.
SUCF PROJECT NO.
12130

A3

SCHUETTE HALL (BLDG. NO. 9A)

D116

Handwritten notes:
214 Rev.
76
13
12/16/97
208/100
2/10/98